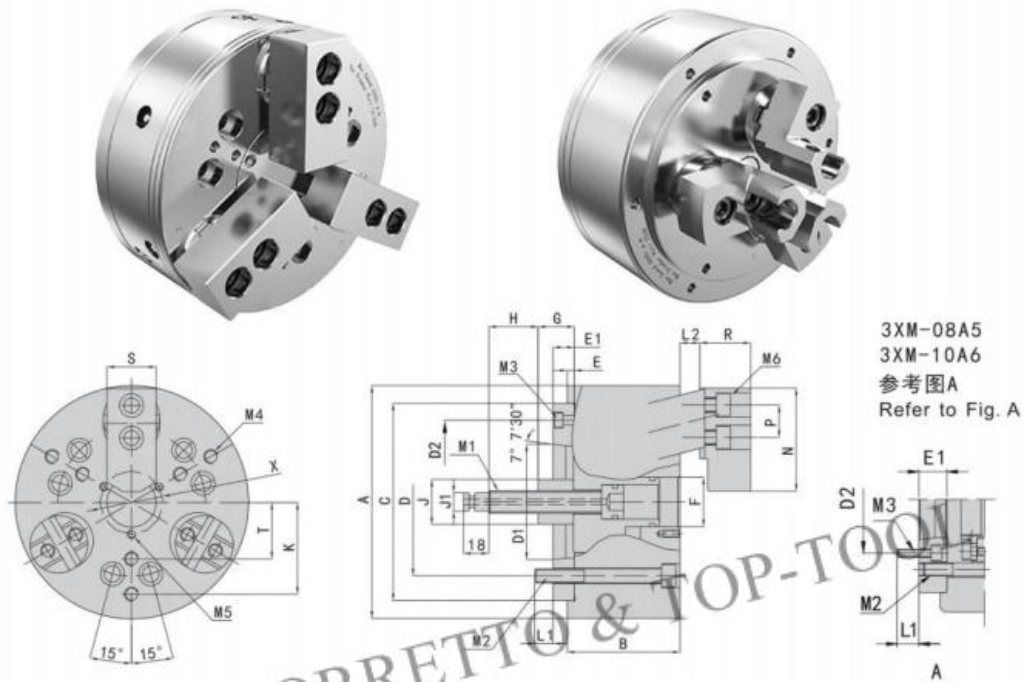


3-Jaw Pull Down Power Chuck

- Capable of simultaneously clamping the workpiece radially and pulling it axially backward. The workpiece remains stable without lifting.
- Optional air-tightness testing can be added.



Model	Spindle Nose	A	B	C (H6)	D	D1	D2	E	E1	F		J	J1	K	L1		
										max	min						
3PB-06	A5	165	85	140	104.8	82.56	116	5	15	35	30	15	35	32	13	55	13
3PB-08	A5	210	100	170	133.4		104.8		17	23	45	27	7	38	37	16	75
	A6					106.38	150	25	133.4	48	20	85	19				
3PB-10	A6	254	110	220	171.4	139.72	190	18	17	55	31	11	41	48	20	85	19
	A8								25	133.4	18	55	31	11	41	48	20

Model	Flage	Plunger Stroke (mm)	Jaw Stroke (Dia.) mm	Max Pull force KN(kgf)	Max. Gripping force KN(kgf)	Max Speed r/min	Clamping range (mm)	Moment of inertia kg.m ²	Weight kg	Maching Cylinder	Max. pressure Mpa(kgf/cm ²)
3PB-06	A5	15	7.8	9(910)	25(2550)	3500	22-165	0.05	16.8	75Q	2.5 (25)
3PB-08	A5	20	10.3	16 (1630)	45 (4590)	3000	28-210	0.14	28.9	100Q	2.2 (22)
	A6								27.1		
3PB-10	A6	20	10.3	21 (2140)	60 (6120)	2500	35-254	0.36	53.5	125Q	1.9 (19)
	A8								51.5		

We also offer 2-jaw (2PB), 4-jaw (4PB), and 6-jaw (6PB) pull-back chucks. For more details, please consult our customer service.