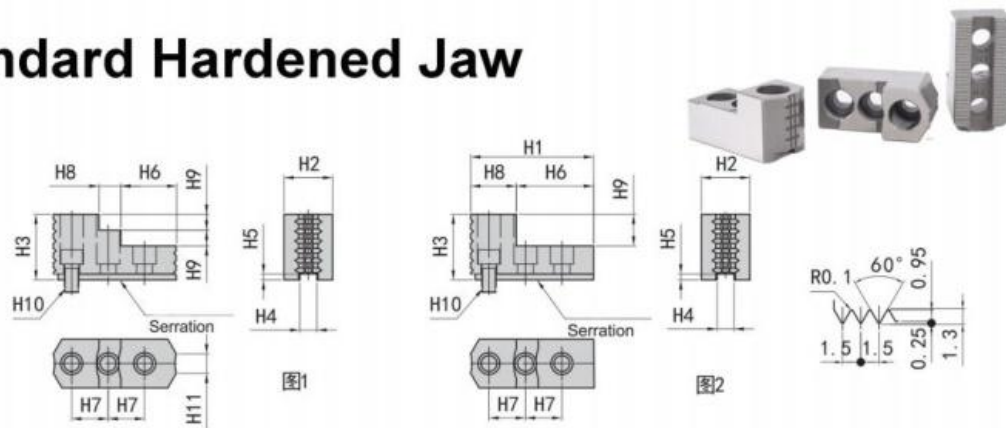
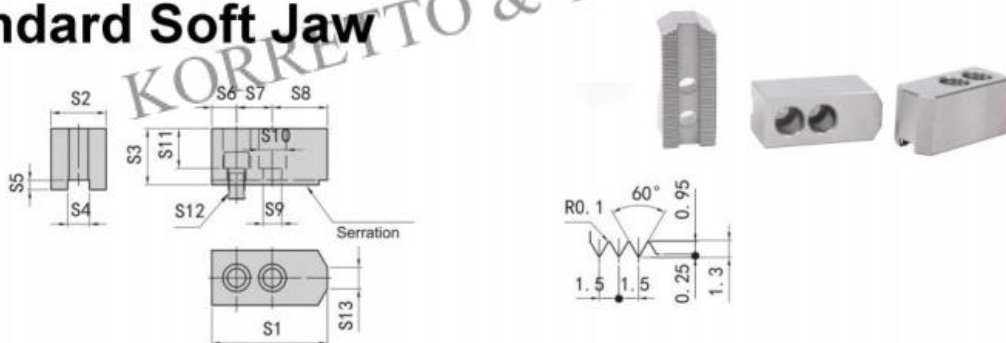


Standard Hardened Jaw



Model	H-1	H-2	H-3	H-4	H-5	H-6	H-7	H-8	H-9	H-10	S-11	Maching Chuck	Weight KG	Reference Drawing
HJ-05	53	23	28	10	4	30.5	14	22.5	10	M8	6	3K-04 3K-05 3S-05	0.4	Fig2
HJ-06	67	31	35	12		40	20	26.6	12	M10	10	3K-06 3S-06	1	
HJ-08	88	35	51	14	5	31	25	18	13	M12	12	3K-08 3S-08	1.95	Fig1
HJ-10	101	40	54	16		43	30	17			13	13	3K-10 3S-10	
HJ-12	103	50	52	21		8	62.5	40.5			17	M16	30	30
HJ-12-1				18	M14				3S-12	2.7				
HJ-15	149	62	86	25.5					M20	3K-15				9.4
HJ-15-1				22	43	3S-15	9.5							

Standard Soft Jaw



Model	S-1	S-2	S-3	S-4	S-5	S-6	S-7	S-8	S-9	S-10	S-11	S-12	S-13	Maching Chuck	Weight KG
SJ-04	52	23	23	10	4	10	14	28	9	14	13	M8	3	3K-04 3S-04	0.5
SJ-05	62	25	30										38	16	3.5
SJ-06	73	31	36	12	5	15	20	38	11	17	20	M10	14	3K-06 3S-06	1.5
SJ-08	95	35	37	14		24	25	46	13	19	22	M12	16	3K-08 3S-08	2.5
SJ-10	110	40	42	16		30	30	50						27	3K-10 3S-10
SJ-12	130	50	50	21	8	49	61	18	26	30	M16	18	3K-12	6.2	
SJ-12-1				18									M14	3S-12	6.3
SJ-15	165	62	62	25.5										M20	3K-15
SJ-15-1				22	38	3S-15	12.7								